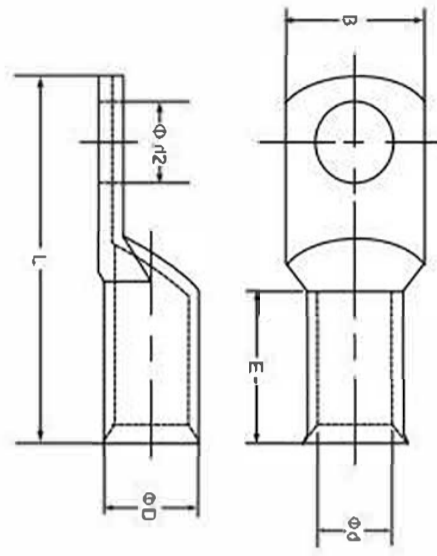


Copper Tubular Lugs (Type AWG)

Copper Tubular Lugs

Brand	KF®
Finish/Coating	Tinned
Base Materials	Copper
Insulation Material	N/A
Brazed	Seam
Wire/Cable Type	Regular Wire
Color Code	Standard
MOQ	1000Pcs/item
Payment Terms	Based on orders
Delivery	FOB/CIF/DDP



Spec(American AWG)	8	6	4	2	1	1/0	2/0	3/0	4/0
Spec(JIS AWG)	8	6	4	2	1	1/0	2/0	3/0	4/0
Spec(DIN AWG)									
Spec(GB mm²)									
Max Current	70	95	125	170	200	230	265	310	360



Wire Range	SKU#	MFG#	Stud Size		Dimension(mm)										Tool	pcs/pack		
			USA	Meric	d2	B	L	D	d	E								
A.W.G. 8	KFLAG10	8#10	#10	10	0.201	5.1	0.465	11.8	1.311	33.3	0.28	7.1	0.189	4.8	0.512	13.0	OPT TP-150D	100
	KFLAG11	8*1/4	1/4"	4	0.268	6.8	0.465	11.8	1.311	33.3	0.28	7.1	0.189	4.8	0.512	13.0		100
	KFLAG12	8*5/16	5/16"	16	0.327	8.3	0.465	11.8	1.311	33.3	0.28	7.1	0.189	4.8	0.512	13.0		100
	KFLAG13	8*3/8	3/8"	8	0.409	10.4	0.571	14.5	1.311	33.3	0.28	7.1	0.189	4.8	0.512	13.0		100
	KFLAG14	8*1/2	1/2"	2	0.516	13.1	0.669	17.0	1.311	33.3	0.28	7.1	0.189	4.8	0.512	13.0		100
A.W.G. 6	KFLAG20	6#10	#10	10	0.201	5.1	0.465	11.8	1.469	37.3	0.319	8.1	0.232	5.9	0.591	15.0	OPT TP-150D	100
	KFLAG21	6*1/4	1/4"	4	0.268	6.8	0.539	13.7	1.469	37.3	0.319	8.1	0.232	5.9	0.591	15.0		100
	KFLAG22	6*5/16	5/16"	16	0.327	8.3	0.539	13.7	1.469	37.3	0.319	8.1	0.232	5.9	0.591	15.0		100
	KFLAG23	6*3/8	3/8"	8	0.409	10.4	0.539	13.7	1.469	37.3	0.319	8.1	0.232	5.9	0.591	15.0		100
	KFLAG24	6*1/2	1/2"	2	0.516	13.1	0.669	17.0	1.469	37.3	0.319	8.1	0.232	5.9	0.591	15.0		100
A.W.G. 4	KFLAG30	4*1/4	1/4"	4	0.268	6.8	0.543	13.8	1.531	38.9	0.374	9.5	0.287	7.3	0.61	15.5	OPT TP-150D	100
	KFLAG31	4*5/16	5/16"	16	0.327	8.3	0.543	13.8	1.531	38.9	0.374	9.5	0.287	7.3	0.61	15.5		100
	KFLAG32	4*3/8	3/8"	8	0.409	10.4	0.571	14.5	1.531	38.9	0.374	9.5	0.287	7.3	0.61	15.5		100
	KFLAG33	4*1/2	1/2"	2	0.516	13.1	0.669	17.0	1.531	38.9	0.374	9.5	0.287	7.3	0.591	15.0		100
A.W.G. 2	KFLAG40	2*1/4	1/4"	4	0.268	6.8	0.65	16.5	1.618	41.1	0.437	11.1	0.335	8.5	0.63	16.0	OPT TP-150D	100
	KFLAG41	2*5/16	5/16"	16	0.327	8.3	0.65	16.5	1.618	41.1	0.437	11.1	0.335	8.5	0.63	16.0		100
	KFLAG42	2*3/8	3/8"	8	0.409	10.4	0.65	16.5	1.618	41.1	0.437	11.1	0.335	8.5	0.63	16.0		100
	KFLAG43	2*1/2	1/2"	2	0.516	13.1	0.669	17.0	1.618	41.1	0.437	11.1	0.335	8.5	0.602	15.3		100
A.W.G. 1	KFL1T50	1*1/4	1/4"	4	0.268	6.8	0.646	16.4	1.717	43.6	0.461	11.7	0.358	9.1	0.63	16.0	OPT TP-150D	100
	KFL1T51	1*5/16	5/16"	16	0.327	8.3	0.646	16.4	1.717	43.6	0.461	11.7	0.358	9.1	0.63	16.0		100
	KFL1T52	1*3/8	3/8"	8	0.409	10.4	0.673	17.1	1.717	43.6	0.461	11.7	0.358	9.1	0.63	16.0		100
	KFL1T53	1*1/2	1/2"	2	0.516	13.1	0.752	19.1	1.717	43.6	0.461	11.7	0.358	9.1	0.63	16.0		100
A.W.G. 1/0	KFLAG60	1/0*1/4	1/4"	4	0.268	6.8	0.724	18.4	1.843	46.8	0.512	13.0	0.409	10.4	0.748	19.0	OPT TP-150D	100
	KFLAG61	1/0*5/16	5/16"	16	0.327	8.3	0.724	18.4	1.843	46.8	0.512	13.0	0.409	10.4	0.748	19.0		100
	KFLAG62	1/0*3/8	3/8"	8	0.409	10.4	0.724	18.4	1.843	46.8	0.512	13.0	0.409	10.4	0.748	19.0		100
	KFLAG63	1/0*1/2	1/2"	2	0.516	13.1	0.827	21.0	1.843	46.8	0.512	13.0	0.409	10.4	0.748	19.0		100
A.W.G. 2/0	KFLAG70	2/0*1/4	1/4"	4	0.268	6.8	0.827	21.0	2.063	52.4	0.559	14.2	0.461	11.7	0.866	22.0	OPT TP-150D	50
	KFLAG71	2/0*5/16	5/16"	16	0.327	8.3	0.827	21.0	2.063	52.4	0.559	14.2	0.461	11.7	0.866	22.0		50
	KFLAG72	2/0*3/8	3/8"	8	0.409	10.4	0.827	21.0	2.063	52.4	0.559	14.2	0.461	11.7	0.866	22.0		50
	KFLAG73	2/0*1/2	1/2"	2	0.516	13.1	0.827	21.0	2.063	52.4	0.559	14.2	0.461	11.7	0.827	21.0		50
A.W.G. 3/0	KFLAG80	3/0*5/16	5/16"	16	0.327	8.3	0.909	23.1	2.201	55.9	0.618	15.7	0.512	13.0	0.886	22.5	OPT TP-150D	50
	KFLAG81	3/0*3/8	3/8"	8	0.409	10.4	0.909	23.1	2.201	55.9	0.618	15.7	0.512	13.0	0.886	22.5		50
	KFLAG82	3/0*1/2	1/2"	2	0.516	13.1	0.909	23.1	2.201	55.9	0.618	15.7	0.512	13.0	0.886	22.5		50
A.W.G. 4/0	KFLAG90	4/0*5/16	5/16"	16	0.327	8.3	1.016	25.8	2.382	60.5	0.677	17.2	0.559	14.2	0.945	24.0	OPT TP-150D	50
	KFLAG91	4/0*3/8	3/8"	8	0.409	10.4	1.016	25.8	2.382	60.5	0.677	17.2	0.559	14.2	0.945	24.0		50
	KFLAG92	4/0*1/2	1/2"	2	0.516	13.1	1.016	25.8	2.382	60.5	0.677	17.2	0.559	14.2	0.945	24.0		50