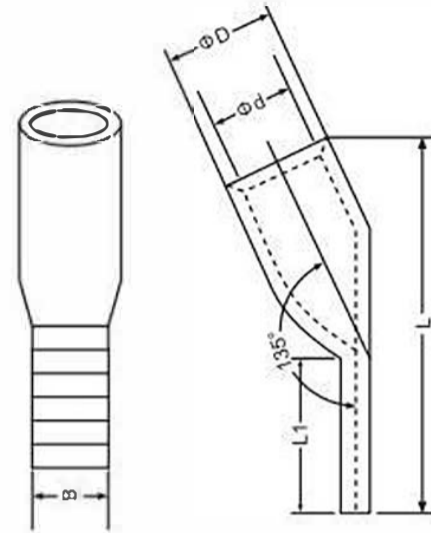


## Copper Tubular Lugs (Type C45)

Copper Tubular Lugs

Brand	KF®
Finish/Coating	Tinned
Base Materials	Copper
Insulation Material	N/A
Brazed	Seam
Wire/Cable Type	Regular Wire
Color Code	Standard
MOQ	1000Pcs/item
Payment Terms	Based on orders
Delivery	FOB/CIF/DDP



Spec(American AWG)	16	16-14	12	10	8	6	4	2	1/0	2/0
Spec(JIS AWG)	1.5	2	4	6	10	16	25	35	50	70
Spec(DIN AWG)										
Spec(GB mm²)										
Max Current	18	30	35	50	70	95	125	170	230	265



Wire Range	SKU#	MFG#	Dimension(mm)										Tool	pcs/pack
			B		L		L1		D		d			
A.W.G. 16 1.5mm²	KFL4510	C-1.5	0.185	4.7	0.866	22.0	0.394	10.0	0.138	3.5	0.083	2.1	IZUMI 5N18	1000
A.W.G. 16-14 1.5~2.5mm²	KFL4520	C-2	0.217	5.5	0.866	22.0	0.394	10.0	0.157	4.0	0.102	2.6	IZUMI 5N18	1000
A.W.G. 12 4mm²	KFL4530	C-4	0.264	6.7	0.866	22.0	0.394	10.0	0.189	4.8	0.134	3.4	IZUMI 5N18	1000
A.W.G. 10 6mm²	KFL4540	C-6	0.276	7.0	1.063	27.0	0.394	10.0	0.232	5.9	0.157	4.0	IZUMI 5N18	1000
A.W.G. 8 10mm²	KFL4550	C-10	0.276	7.0	1.299	33.0	0.512	13.0	0.264	6.7	0.201	5.1	IZUMI 5N18	500
A.W.G. 6 16mm²	KFL4560	C-16	0.276	7.0	1.417	36.0	0.512	13.0	0.319	8.1	0.236	6.0	OPT TP-150D	500
A.W.G. 4 25mm²	KFL4570	C-25	0.276	7.0	1.457	37.0	0.512	13.0	0.354	9.0	0.276	7.0	OPT TP-150D	250
A.W.G. 2 35mm²	KFL4580	C-35	0.276	7.0	1.535	39.0	0.512	13.0	0.417	10.6	0.327	8.3	OPT TP-150D	200
A.W.G. 1/0 50mm²	KFL4590	C-50	0.276	7.0	1.713	43.5	0.512	13.0	0.492	12.5	0.386	9.8	OPT TP-150D	100
A.W.G. 2/0 70mm²	KFL45A0	C-70	0.276	7.0	1.85	47.0	0.512	13.0	0.579	14.7	0.469	11.9	OPT TP-150D	100