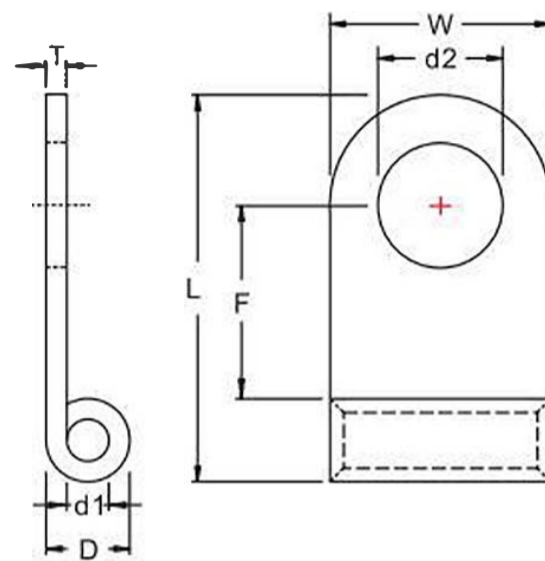


Non-Insulated Flag Terminals

Brand	KF®
Finish/Coating	Tinned
Base Materials	Copper
Insulation Material	N/A
Brazed	Seam
Wire/Cable Type	Regular Wire
Color Code	Standard
MOQ	1000Pcs/item
Payment Terms	Based on orders
Delivery	FOB/CIF/DDP



Spec(American AWG)	26-22	22-16	16-14	14-12	12-10	8	6
Spec(JIS AWG)	0.5	1.25	2	3.5	5.5	8	14
Spec(DIN AWG)	0.5	1	2.5		4.0-6.0	10	16
Spec(GB mm²)	0.1-0.5	0.5-1.5	2.5	4	6.0	10	16
Max Current		19	27	37	48.0	62	88

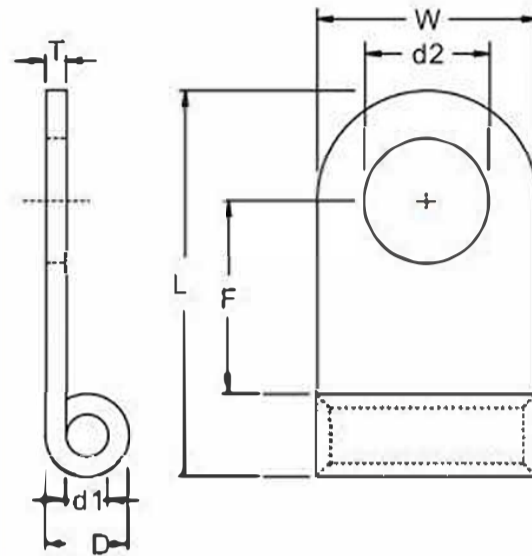


Non-Insulated Terminals

Wire Range	SKU#	MFG#	Stud Size		Dimension(mm)												pcs/pack
			USA	Meric	d2	W	F	D	L	d1	T						
A.W.G. 22-16 0.5~1.5mm²	KFO0910	FGNB1-5	#10	5	0.209	5.3	0.378	9.6	0.315	8.0	0.134	3.4	0.642	16.3	0.067 (1.7)	0.03 (0.75)	1000
	KFO0920	FGNB2-5	#10	5	0.209	5.3	0.378	9.6	0.287	7.3	0.161	4.1	0.642	16.3	0.091 (2.3)	0.031 (0.8)	1000
A.W.G. 16-14 1.5~2.5mm²	KFO0921	FGNB2-6	1/4"	6	0.252	6.4	0.378	9.6	0.287	7.3	0.161	4.1	0.642	16.3			1000
	A.W.G. 12-10 4~6mm²	KFO0930	FGNB5-5	#10	5	0.209	5.3	0.378	9.6	0.291	7.4	0.22	5.6	0.701	17.8	0.134 (3.4)	0.039 (1.0)
KFO0931		FGNB5-6	1/4"	6	0.252	6.4	0.378	9.6	0.291	7.4	0.22	5.6	0.701	17.8	1000		
A.W.G. 8 8mm²	KFO0940	FGNB8-5	#10	5	0.209	5.3	0.5	12.7	0.358	9.1	0.283	7.2	0.906	23.0	0.177 (4.5)	0.047 (1.2)	500
	KFO0941	FGNB8-6	1/4"	6	0.252	6.4	0.5	12.7	0.358	9.1	0.283	7.2	0.906	23.0			500
	KFO0942	FGNB8-8	5/16"	8	0.315	8.0	0.61	15.5	0.543	13.8	0.283	7.2	1.13	28.7			500
A.W.G. 6 14mm²	KFO0950	FGNB14-6	1/4"	6	0.252	6.4	0.5	12.7	0.378	9.6	0.354	9.0	0.98	24.9	0.228 (5.8)	0.059 (1.5)	500
	KFO0951	FGNB14-8	5/16"	8	0.315	8.0	0.63	16.0	0.531	13.5	0.354	9.0	1.201	30.5			500

Non-Insulated Flag Terminals

Brand	KF®
Finish/Coating	Tinned
Base Materials	Copper
Insulation Material	N/A
Brazed	Seam
Wire/Cable Type	Regular Wire
Color Code	Standard
MOQ	1000Pcs/item
Payment Terms	Based on orders
Delivery	FOB/CIF/DDP



Spec(American AWG)	4	2	1	1/0	2/0	3/0
Spec(JIS AWG)	22	38		60	70	80
Spec(DIN AWG)	25	35	50		70	95
Spec(GB mm²)	25	35	50	60	70	95
Max Current	115					



Wire Range	SKU#	MFG#	Stud Size		Dimension(mm)										pcs/pack		
			USA	Metric	d2	W		F		D		L		d1		T	
A.W.G. 4 22mm²	KFO0960	FGNB22-6	1/4"	6	0.252	6.4	0.551	14.0	0.382	9.7	0.453	11.5	1.11	28.2	0.303 (7.7)	0.067 (1.7)	250
	KFO0961	FGNB22-8	1/4"	6	0.252	6.4	0.315	8.0	0.689	17.5	0.453	11.5	1.339	34.0			250
A.W.G. 2 38mm²	KFO0970	FGNB38-6	1/4"	6	0.252	6.4	0.72	18.3	0.535	13.6	0.524	13.3	1.421	36.1	0.370 (9.4)	0.071 (1.8)	200
	KFO0971	FGNB38-8	5/16"	8	0.315	8.0	0.72	18.3	0.535	13.6	0.524	13.3	1.421	36.1			200
	KFO0972	FGNB38-10	3/8"	10	0.413	10.5	0.72	18.3	0.535	13.6	0.524	13.3	1.421	36.1			200
A.W.G. 1/0 60mm²	KFO0980	FGNB60-8	5/16"	8	0.315	8.0	0.878	22.3	0.681	17.3	0.61	15.5	1.732	44.0	0.449 (11.4)	0.071 (1.8)	100
	KFO0981	FGNB60-10	3/8"	10	0.413	10.5	0.878	22.3	0.681	17.3	0.61	15.5	1.732	44.0			100
	KFO0982	FGNB60-12	1/2"	12	0.512	13.0	0.878	22.3	0.681	17.3	0.61	15.5	1.732	44.0			100
A.W.G. 2/0 70mm²	KFO0990	FGNB70-8	5/16"	8	0.315	8.0	0.941	23.9	0.681	17.3	0.689	17.5	1.839	46.7	0.516 (13.1)	0.079 (2.0)	100
	KFO0991	FGNB70-10	3/8"	10	0.413	10.5	0.941	23.9	0.681	17.3	0.689	17.5	1.839	46.7			100
	KFO0992	FGNB70-12	1/2"	12	0.512	13.0	0.941	23.9	0.681	17.3	0.689	17.5	1.839	46.7			100
A.W.G. 3/0 80mm²	KFO09A0	FGNB80-10	3/8"	10	0.413	10.5	1.063	27.0	0.701	17.8	0.768	19.5	2.0	50.8	0.571 (14.5)	0.091 (2.3)	50
	KFO09A1	FGNB80-12	1/2"	12	0.512	13.0	1.063	27.0	0.701	17.8	0.768	19.5	2.0	50.8			50