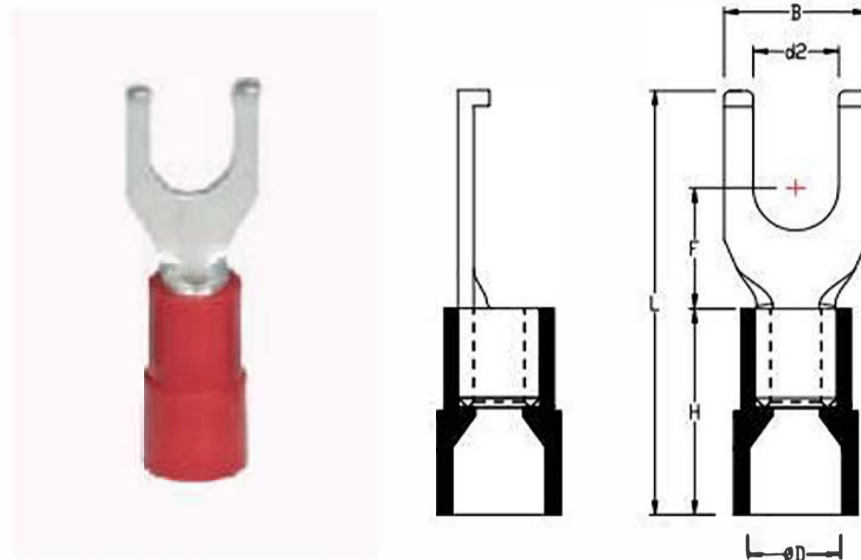


Nylon-Insulated Single Crimp Flange Spade Terminals

Brand	KF®
Finish/Coating	Tinned
Base Materials	Copper, Nylon
Insulation Material	N/A
Brazed	Seam
Wire/Cable Type	Regular Wire
Color Code	Standard
MOQ	1000Pcs/item
Payment Terms	Based on orders
Delivery	FOB/CIF/DDP



Spec (American AWG)	22-16	16-14	12-10
Spec (JIS AWG)	1.25	2	5.5
Spec (DIN AWG)	1	2.5	4.0-6.0
Spec (GB mm²)	0.5-1.5	2.5	6
Max Current	19	27	48
Operating Voltage	600V		
Temperature Withstand	105°C		



Insulated Single Crimp Terminals

Wire Range	SKU#	MFG#	Stud Size		Dimension(mm)									Color	Tool	pcs/pack		
			USA	Meric	d2	B	L	F	H	D	T							
A.W.G. 22-16 0.5~1.5mm²	KFSN210	FSNY1.25-3.5	#6	3.5	0.146	3.7	0.256	6.5	0.866	22.0	0.256	6.5	0.413 (10.5)	0.157 (4.0)	0.03 (0.75)	red	IZUMI 3#	1000
	KFSN211	FSNY1.25-4	#8	4.0	0.169	4.3	0.276	7.0	0.866	22.0	0.256	6.5						1000
	KFSN212	FSNY1.25-5	#10	5.0	0.209	5.3	0.374	9.5	0.866	22.0	0.256	6.5						1000
A.W.G. 16-14 1.5~2.5mm²	KFSN220	FSNY2-3.5	#6	3.5	0.146	3.7	0.276	7.0	0.866	22.0	0.256	6.5	0.413 (10.5)	0.177 (4.5)	0.031 (0.8)	blue	IZUMI 4#	1000
	KFSN221	FSNY2-4	#8	4.0	0.169	4.3	0.276	7.0	0.866	22.0	0.256	6.5						1000
	KFSN222	FSNY2-5	#10	5.0	0.209	5.3	0.374	9.5	0.866	22.0	0.256	6.5						1000
A.W.G. 12-10 4~6mm²	KFSN230	FSNY5.5-3.5	#6	3.5	0.146	3.7	0.335	8.5	1.024	26.0	0.295	7.5	0.513 (13.5)	0.276 (7.0)	0.039 (1.0)	yellow	IZUMI 5#	1000
	KFSN231	FSNY5.5-4	#8	4.0	0.169	4.3	0.335	8.5	1.024	26.0	0.295	7.5						1000
	KFSN232	FSNY5.5-5	#10	5.0	0.209	5.3	0.354	9.0	1.024	26.0	0.295	7.5						1000