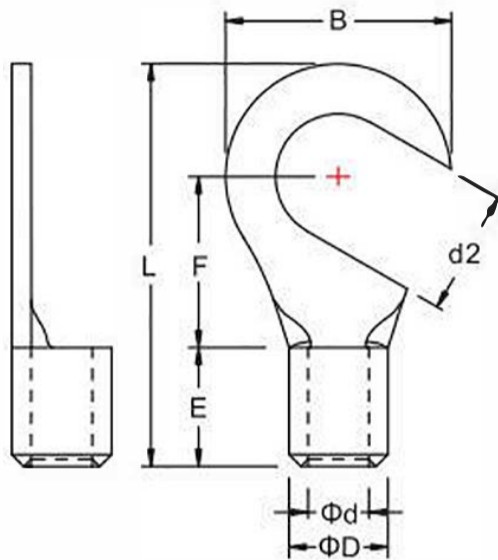


## Non-Insulated Hook Terminals

Brand	KF®
Finish/Coating	Tinned
Base Materials	Copper
Insulation Material	N/A
Brazed	Seam
Wire/Cable Type	Regular Wire
Color Code	Standard
MOQ	1000Pcs/item
Payment Terms	Based on orders
Delivery	FOB/CIF/DDP



Spec(American AWG)	26-22	22-16	16-14	14-12	12-10	8
Spec(JIS AWG)	0.5	1.25	2	3.5	5.5	8
Spec(DIN AWG)	0.5	1	2.5		4.0-6.0	10
Spec(GB mm²)	0.1-0.5	0.5-1.5	2.5	4	6.0	10
Max Current		19	27	37	48.0	62



Wire Range	SKU#	MFG#	Stud Size		Dimension(mm)								Tool	pcs/pack				
			USA	Meric	d2	B	F	L	E	D	d	T						
A.W.G. 22-16 0.5~1.5mm²	KFO0710	HNB1.25-3.5	#6	3.5	0.146	3.7	0.315	8.0	0.276	7.0	0.63	16.0	0.197 (5.0)	0.138 (3.5)	0.079 (2.0)	0.03 (0.75)	IZUMI 5N18	1000
	KFO0711	HNB1.25-4	#8	4	0.169	4.3	0.315	8.0	0.276	7.0	0.63	16.0						1000
	KFO0712	HNB1.25-5	#10	5	0.209	5.3	0.315	8.0	0.276	7.0	0.63	16.0						1000
	KFO0713	HNB1.25-6	1/4"	6	0.252	6.4	0.453	11.5	0.433	11.0	0.866	22.0						1000
A.W.G. 16-14 1.5~2.5mm²	KFO0720	HNB2-3.5	#6	3.5	0.146	3.7	0.335	8.5	0.315	8.0	0.669	17.0	0.197 (5.0)	0.157 (4.0)	0.098 (2.5)	0.031 (0.8)	IZUMI 5N18	1000
	KFO0721	HNB2-4	#8	4	0.169	4.3	0.335	8.5	0.315	8.0	0.669	17.0						1000
	KFO0722	HNB2-5	#10	5	0.209	5.3	0.374	9.5	0.295	7.5	0.669	17.0						1000
	KFO0723	HNB2-6	1/4"	6	0.252	6.4	0.472	12.0	0.433	11.0	0.866	22.0						1000
A.W.G. 12-10 4~6mm²	KFO0730	HNB5.5-3.5	#6	3.5	0.146	3.7	0.276	7.0	0.236	6.0	0.65	16.5	0.276 (7.0)	0.217 (5.5)	0.138 (3.5)	0.039 (1.0)	IZUMI 5N18	1000
	KFO0731	HNB5.5-4	#8	4	0.169	4.3	0.374	9.5	0.315	8.0	0.787	20.0						1000
	KFO0732	HNB5.5-5	#10	5	0.209	5.3	0.374	9.5	0.315	8.0	0.787	20.0						1000
	KFO0733	HNB5.5-6	1/4"	6	0.252	6.4	0.472	12.0	0.413	10.5	0.925	23.5						1000
	KFO0734	HNB5.5-8	5/16"	8	0.331	8.4	0.591	15.0	0.531	13.5	1.102	28.0						1000
A.W.G. 8 8mm²	KFO0740	HNB8-8	5/16"	8	0.331	8.4	0.591	15.0	0.551	14.0	1.181	30.0	0.335 (8.5)	0.276 (7.0)	0.197 (5.0)	0.047 (1.2)	IZUMI 5N18	500