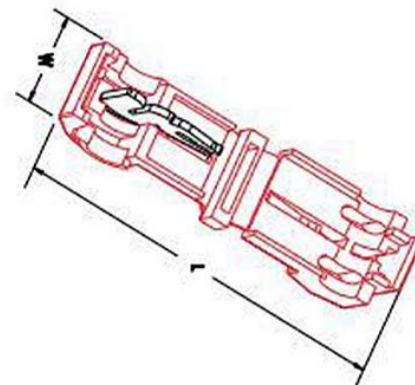


## QuickSplice Connectors (Ant)

Brand	KF®
Finish/Coating	Tinned
Base Materials	Copper, Nylon
Insulation Material	N/A
Brazed	Seam
Wire/Cable Type	Regular Wire
Color Code	Standard
MOQ	1000Pcs/item
Payment Terms	Based on orders
Delivery	FOB/CIF/DDP



Spec (American AWG)	22-18	18-14	12
Spec (JIS AWG)			
Spec (DIN AWG)			
Spec (GB mm²)			
Max Current			
Operating Voltage	600V		
Temperature Withstand	105°C		



Wire Range	SKU#	MFG#	Dimensions Inch (mm)						Color	pcs/pack
			W		L		T			
A.W.G. 22~18 0.5~1mm²	KFRQ310	KF-M1	0.374	9.5	1.496	38.0	0.031	0.8	red	500
A.W.G. 18~14 1~2.5mm²	KFRQ320	KF-M2	0.374	9.5	1.496	38.0	0.031	0.8	blue	500
A.W.G. 12 4mm²	KFRQ330	KF-M5	0.374	9.5	1.496	38.0	0.031	0.8	yellow	200