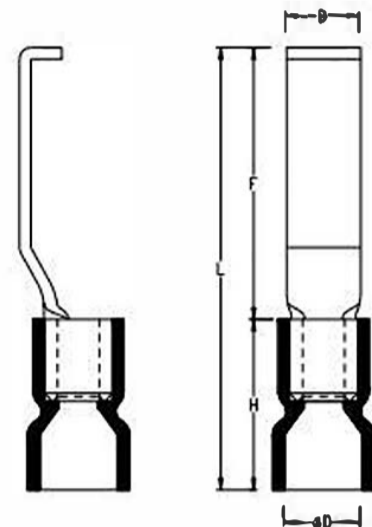


**Vinyl-Insulated Single Crimp (Easy Entry) Lipped Blade Terminals**

Brand	KF®
Finish/Coating	Tinned
Base Materials	Copper, PVC
Insulation Material	N/A
Brazed	Seam
Wire/Cable Type	Regular Wire
Color Code	Standard
MOQ	1000Pcs/item
Payment Terms	Based on orders
Delivery	FOB/CIF/DDP



Spec (American AWG)	22-16	16-14	12-10
Spec (JIS AWG)	1.25	2	5.5
Spec (DIN AWG)	1	2.5	4.0-6.0
Spec (GB mm²)	0.5-1.5	2.5	6
Max Current	19	27	48
Operating Voltage	600V		
Temperature Withstand	75°C		



Insulated Single Crimp Terminals

Wire Range	SKU#	MFG#	Dimension(mm)									Color	Tool	pcs/pack
			B		L		F		H	D	T			
A.W.G. 22-16 0.5~1.5mm²	KFSE710	LBVE1.25-3	0.118	3.0	1.063	27.0	0.63	16.0	0.433 (11.0)	0.157 (4.0)	0.03 (0.75)	red	IZUMI 3#	1000
	KFSE711	LBVE1.25-4.6	0.181	4.6	1.063	27.0	0.63	16.0						1000
A.W.G. 16-14 1.5~2.5mm²	KFSE720	LBVE2-3	0.118	3.0	1.122	28.5	0.669	17.0	0.453 (11.5)	0.177 (4.5)	0.031 (0.8)	blue	IZUMI 4#	1000
	KFSE721	LBVE2-4.6	0.181	4.6	1.122	28.5	0.669	17.0						1000
A.W.G. 12-10 4~6mm²	KFSE730	LBVE5.5-3	0.118	3.0	1.22	31.0	0.669	17.0	0.511 (14.0)	0.256 (6.5)	0.039 (1.0)	yellow	IZUMI 5#	1000
	KFSE731	LBVE5.5-4.6	0.181	4.6	1.22	31.0	0.669	17.0						1000