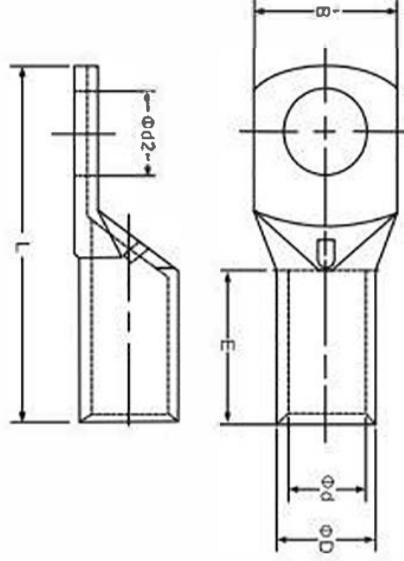


Copper Tubular Lugs (Type LYF)

Copper Tubular Lugs

Brand	KF [®]
Finish/Coating	Tinned
Base Materials	Copper
Insulation Material	N/A
Brazed	Seam
Wire/Cable Type	Regular Wire
Color Code	Standard
MOQ	1000Pcs/item
Payment Terms	Based on orders
Delivery	FOB/CIF/DDP



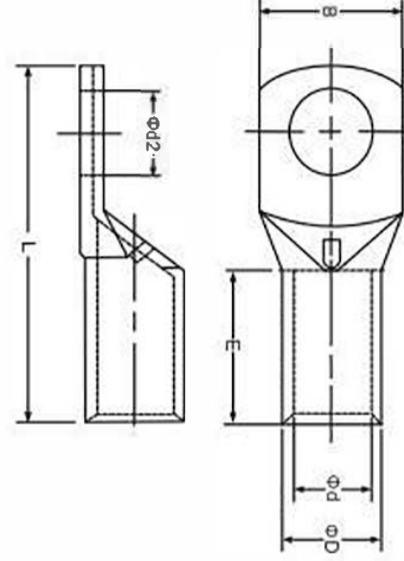
Spec(American AWG)	8	6	4	2	1/0	2/0	3/0
Spec(JIS AWG)	10	16	25	35	50	70	95
Spec(DIN AWG)							
Spec(GB mm ²)							
Max Current	70	95	125	170	230	265	310



Wire Range	SKU#	MFG#	Stud Size		Dimension(mm)										Tool	pcs/pack		
			USA	Metric	d2	B	L	D	d	E								
A.W.G. 8 10mm ²	KFLLF10	LYF10-5	#10	5	0.209	5.3	0.453	11.5	1.102	28.0	0.315	8.0	0.197	5.0	0.354	9.0	IZUMI 5N18	500
	KFLLF11	LYF10-6	1/4"	6	0.256	6.5	0.453	11.5	1.102	28.0	0.315	8.0	0.197	5.0	0.354	9.0		500
	KFLLF12	LYF10-8	5/16"	8	0.331	8.4	0.531	13.5	1.26	32.0	0.315	8.0	0.197	5.0	0.354	9.0		500
	KFLLF13	LYF10-10	3/8"	10	0.413	10.5	0.63	16.0	1.339	34.0	0.315	8.0	0.197	5.0	0.354	9.0		500
A.W.G. 6 16mm ²	KFLLF20	LYF16-6	1/4"	6	0.256	6.5	0.512	13.0	1.299	33.0	0.354	9.0	0.236	6.0	0.394	10.0	OPT TP-150D	500
	KFLLF21	LYF16-8	5/16"	8	0.331	8.4	0.512	13.0	1.3	33.0	0.354	9.0	0.236	6.0	0.394	10.0		500
	KFLLF22	LYF16-10	3/8"	10	0.413	10.5	0.63	16.0	1.5	38.0	0.354	9.0	0.236	6.0	0.394	10.0		500
	KFLLF23	LYF16-12	1/2"	12	0.512	13.0	0.866	22.0	1.85	47.0	0.354	9.0	0.236	6.0	0.394	10.0		500
A.W.G. 4 25mm ²	KFLLF30	LYF25-6	1/4"	6	0.256	6.5	0.63	16.0	1.457	37.0	0.433	11.0	0.315	8.0	0.433	11.0	OPT TP-150D	250
	KFLLF31	LYF25-8	5/16"	8	0.331	8.4	0.63	16.0	1.496	38.0	0.433	11.0	0.315	8.0	0.433	11.0		250
	KFLLF32	LYF25-10	3/8"	10	0.413	10.5	0.669	17.0	1.654	42.0	0.433	11.0	0.315	8.0	0.433	11.0		250
	KFLLF33	LYF25-12	1/2"	12	0.512	13.0	0.866	22.0	1.85	47.0	0.433	11.0	0.315	8.0	0.433	11.0		250
A.W.G. 2 35mm ²	KFLLF40	LYF35-6	1/4"	6	0.256	6.5	0.709	18.0	1.732	44.0	0.512	13.0	0.354	9.0	0.551	14.0	OPT TP-150D	200
	KFLLF41	LYF35-8	5/16"	8	0.331	8.4	0.709	18.0	1.732	44.0	0.512	13.0	0.354	9.0	0.551	14.0		200
	KFLLF42	LYF35-10	3/8"	10	0.413	10.5	0.709	18.0	1.732	44.0	0.512	13.0	0.354	9.0	0.551	14.0		200
	KFLLF43	LYF35-12	1/2"	12	0.512	13.0	0.866	22.0	2.047	52.0	0.512	13.0	0.354	9.0	0.551	14.0		200
A.W.G. 1/0 50mm ²	KFLLF50	LYF50-6	1/4"	6	0.256	6.5	0.827	21.0	1.969	50.0	0.571	14.5	0.433	11.0	0.669	17.0	OPT TP-150D	100
	KFLLF51	LYF50-8	5/16"	8	0.331	8.4	0.827	21.0	1.969	50.0	0.571	14.5	0.433	11.0	0.669	17.0		100
	KFLLF52	LYF50-10	3/8"	10	0.413	10.5	0.827	21.0	1.969	50.0	0.571	14.5	0.433	11.0	0.669	17.0		100
	KFLLF53	LYF50-12	1/2"	12	0.512	13.0	0.827	21.0	2.087	53.0	0.571	14.5	0.433	11.0	0.669	17.0		100
A.W.G. 2/0 70mm ²	KFLLF60	LYF70-6	1/4"	6	0.256	6.5	0.984	25.0	2.165	55.0	0.669	17.0	0.512	13.0	0.787	20.0	OPT TP-150D	100
	KFLLF61	LYF70-8	5/16"	8	0.331	8.4	0.984	25.0	2.17	55.0	0.669	17.0	0.512	13.0	0.787	20.0		100
	KFLLF62	LYF70-10	3/8"	10	0.413	10.5	0.984	25.0	2.17	55.0	0.669	17.0	0.512	13.0	0.787	20.0		100
	KFLLF63	LYF70-12	1/2"	12	0.512	13.0	0.984	25.0	2.28	58.0	0.669	17.0	0.512	13.0	0.787	20.0		100
A.W.G. 3/0 95mm ²	KFLLF64	LYF70-16	5/8"	16	0.669	17.0	1.102	28.0	2.52	64.0	0.669	17.0	0.512	13.0	0.787	20.0	OPT TP-150D	100
	KFLLF70	LYF95-8	5/16"	8	0.331	8.4	1.142	29.0	2.717	69.0	0.787	20.0	0.591	15.0	0.906	23.0		50
	KFLLF71	LYF95-10	3/8"	10	0.413	10.5	1.142	29.0	2.717	69.0	0.787	20.0	0.591	15.0	0.906	23.0		50
	KFLLF72	LYF95-12	1/2"	12	0.512	13.0	1.142	29.0	2.717	69.0	0.787	20.0	0.591	15.0	0.906	23.0		50
	KFLLF73	LYF95-16	5/8"	16	0.669	17.0	1.142	29.0	2.717	69.0	0.787	20.0	0.591	15.0	0.906	23.0	50	

Copper Tubular Lugs (Type LYF)

Brand	KF [®]
Finish/Coating	Tinned
Base Materials	Copper
Insulation Material	N/A
Brazed	Seam
Wire/Cable Type	Regular Wire
Color Code	Standard
MOQ	1000Pcs/item
Payment Terms	Based on orders
Delivery	FOB/CIF/DDP



Spec(American AWG)	4/0	250/300MCM	300/350MCM	400MCM
Spec(JIS AWG)	120	150	185	240
Spec(DIN AWG)				
Spec(GB mm ²)				
Max Current	360	445	505	545
Spec(American AWG)	500MCM	600/750MCM	800/1000MCM	1000/1250MCM
Spec(JIS AWG)	300	400	500	630
Spec(DIN AWG)				
Spec(GB mm ²)				
Max Current	620	785	935	1065



Wire Range	SKU#	MFG#	Stud Size		Dimension(mm)											Tool	pcs/pack	
			USA	Metric	d2	B	L	D	d	E								
A.W.G. 4/0 120mm ²	KLLF80	LYF120-10	3/8"	10	0.413	10.5	1.26	32.0	2.874	73.0	0.866	22.0	0.669	17.0	0.984	25.0	IZUMI EP-520C	30
	KLLF81	LYF120-12	1/2"	12	0.512	13.0	1.26	32.0	2.874	73.0	0.866	22.0	0.669	17.0	0.984	25.0		30
	KLLF82	LYF120-16	5/8"	16	0.669	17.0	1.26	32.0	2.874	73.0	0.866	22.0	0.669	17.0	0.984	25.0		30
A.W.G.250/300MCM 150mm ²	KLLF90	LYF150-10	3/8"	10	0.413	10.5	1.417	36.0	3.15	80.0	0.984	25.0	0.748	19.0	1.181	30.0	IZUMI EP-520C	10
	KLLF91	LYF150-12	1/2"	12	0.512	13.0	1.417	36.0	3.15	80.0	0.984	25.0	0.748	19.0	1.181	30.0		10
	KLLF92	LYF150-16	5/8"	16	0.669	17.0	1.417	36.0	3.15	80.0	0.984	25.0	0.748	19.0	1.181	30.0		10
	KLLF93	LYF150-20	3/4"	20	0.827	21.0	1.417	36.0	3.15	80.0	0.984	25.0	0.748	19.0	1.181	30.0		10
A.W.G.300/350MCM 185mm ²	KLLFA0	LYF185-10	3/8"	10	0.413	10.5	1.535	39.0	3.386	86.0	1.063	27.0	0.827	21.0	1.378	35.0	IZUMI EP-520C	10
	KLLFA1	LYF185-12	1/2"	12	0.512	13.0	1.535	39.0	3.386	86.0	1.063	27.0	0.827	21.0	1.378	35.0		10
	KLLFA2	LYF185-16	5/8"	16	0.669	17.0	1.535	39.0	3.386	86.0	1.063	27.0	0.827	21.0	1.378	35.0		10
	KLLFA3	LYF185-20	3/4"	20	0.827	21.0	1.535	39.0	3.386	86.0	1.063	27.0	0.827	21.0	1.378	35.0		10
A.W.G.400MCM 240mm ²	KLLFB0	LYF240-10	3/8"	10	0.413	10.5	1.732	44.0	3.74	95.0	1.181	30.0	0.945	24.0	1.378	35.0	IZUMI EP-520C	10
	KLLFB1	LYF240-12	1/2"	12	0.512	13.0	1.732	44.0	3.74	95.0	1.181	30.0	0.945	24.0	1.378	35.0		10
	KLLFB2	LYF240-16	5/8"	16	0.669	17.0	1.732	44.0	3.74	95.0	1.181	30.0	0.945	24.0	1.378	35.0		10
	KLLFB3	LYF240-20	3/4"	20	0.827	21.0	1.732	44.0	3.74	95.0	1.181	30.0	0.945	24.0	1.378	35.0		10
A.W.G.500MCM 300mm ²	KLLFC0	LYF300-10	3/8"	10	0.413	10.5	1.85	47.0	4.488	114.0	1.26	32.0	1.024	26.0	1.654	42.0	IZUMI EP-1000A	5
	KLLFC1	LYF300-12	1/2"	12	0.512	13.0	1.85	47.0	4.488	114.0	1.26	32.0	1.024	26.0	1.654	42.0		5
	KLLFC2	LYF300-16	5/8"	16	0.669	17.0	1.85	47.0	4.488	114.0	1.26	32.0	1.024	26.0	1.654	42.0		5
	KLLFC3	LYF300-20	3/4"	20	0.827	21.0	1.85	47.0	4.488	114.0	1.26	32.0	1.024	26.0	1.654	42.0		5
	KLLFC4	LYF300-24	15/16"	24	1.024	26.0	1.85	47.0	4.488	114.0	1.26	32.0	1.024	26.0	1.654	42.0		5
A.W.G.600/750MCM 400mm ²	KLLFD0	LYF400-12	1/2"	12	0.512	13.0	2.126	54.0	4.961	126.0	1.417	36.0	1.181	30.0	1.89	48.0	IZUMI EP-1000A	5
	KLLFD1	LYF400-16	5/8"	16	0.669	17.0	2.126	54.0	4.961	126.0	1.417	36.0	1.181	30.0	1.89	48.0		5
	KLLFD2	LYF400-20	3/4"	20	0.827	21.0	2.126	54.0	4.961	126.0	1.417	36.0	1.181	30.0	1.89	48.0		5
	KLLFD3	LYF400-24	15/16"	24	1.024	26.0	2.126	54.0	4.961	126.0	1.417	36.0	1.181	30.0	1.89	48.0		5
A.W.G.800/1000MCM 500mm ²	KLLFE0	LYF500-20	3/4"	20	0.827	21.0	2.402	61.0	5.276	134.0	1.654	42.0	1.299	33.0	1.85	47.0	IZUMI EP-1000A	5
	KLLFE1	LYF500-24	15/16"	24	1.024	26.0	2.402	61.0	5.276	134.0	1.654	42.0	1.299	33.0	1.85	47.0		5
A.W.G.1000/1250MCM 630mm ²	KLLFF0	LYF630-BL					2.953	75.0	7.087	180.0	2.087	53.0	1.535	39.0	2.677	68.0	IZUMI EP-1000A	5
	KLLFF1	LYF630-20	3/4"	20	0.827	21.0	2.953	75.0	7.087	180.0	2.087	53.0	1.535	39.0	2.677	68.0		5
	KLLFF2	LYF630-24	15/16"	24	1.024	26.0	2.953	75.0	7.087	180.0	2.087	53.0	1.535	39.0	2.677	68.0		5