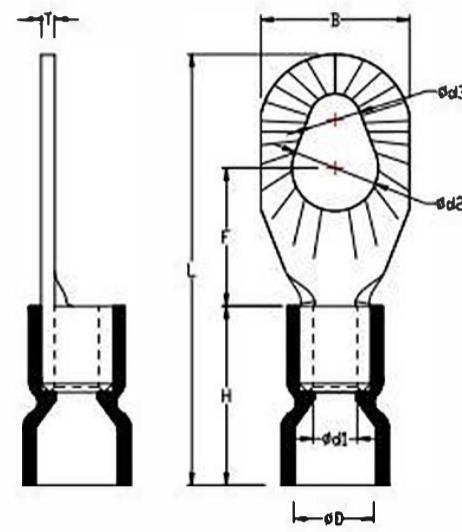
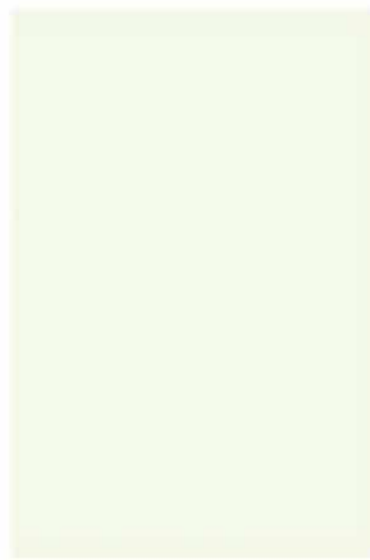


## Vinyl-Insulated Single Crimp (Easy Entry) Dual Screw Terminals

Brand	KF <sup>®</sup>
Finish/Coating	Tinned
Base Materials	Copper, PVC
Insulation Material	N/A
Brazed	Seam
Wire/Cable Type	Regular Wire
Color Code	Standard
MOQ	1000Pcs/item
Payment Terms	Based on orders
Delivery	FOB/CIF/DDP



Spec (American AWG)	22-16	16-14	12-10
Spec (JIS AWG)	1.25	2	5.5
Spec (DIN AWG)	1	2.5	4.0-6.0
Spec (GB mm <sup>2</sup> )	0.5-1.5	2.5	6
Max Current	19	27	48
Operating Voltage	600V		
Temperature Withstand	75°C		



Wire Range	SKU#	MFG#	Stud Size		Dimension(mm)												Color	Tool	pcs/pack		
			USA	Meric	d2	d3	B	L	F	H	D	d1	T								
A.W.G. 22-16 0.5~1.5mm <sup>2</sup>	KFSEA10	MSRVE1.25-2237	#6	22	0.146	3.7	0.087	2.2	0.276	7.0	0.906	23.0	0.276	7.0	0.433	0.157	0.079	0.03	red	IZUMI 3#	1000
															(11.0)	(4.0)	(2.0)	(0.75)			1000
A.W.G. 16-14 1.5~2.5mm <sup>2</sup>	KFSEA20	MSRVE2-2237	#6	22	0.146	3.7	0.087	2.2	0.276	7.0	0.925	23.5	0.276	7.0	0.453	0.177	0.098	0.031	blue	IZUMI 4#	1000
															(11.5)	(4.5)	(2.5)	(0.8)			1000
A.W.G. 12-10 4~6mm <sup>2</sup>	KFSEA30	MSRVE5.5-3753	#10	37	0.209	5.3	0.146	3.7	0.335	8.5	1.161	29.5	0.354	9.0	0.511	0.256	0.138	0.039	yellow	IZUMI 5#	1000

Insulated Single Crimp Terminals