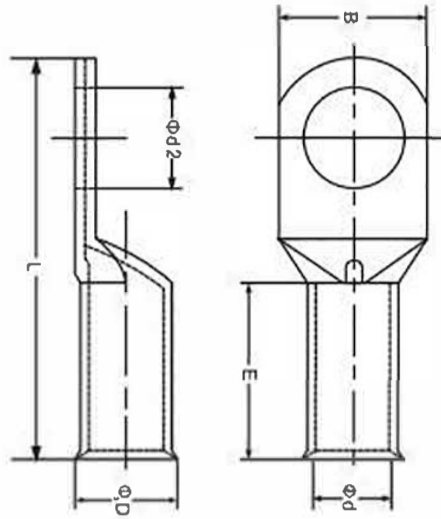


Copper Tubular Lugs (Type TT)

Brand	KF [®]
Finish/Coating	Tinned
Base Materials	Copper
Insulation Material	N/A
Brazed	Seam
Wire/Cable Type	Regular Wire
Color Code	Standard
MOQ	1000Pcs/item
Payment Terms	Based on orders
Delivery	FOB/CIF/DDP



Spec(American AWG)	8	6	4	2	1/0	2/0	3/0	4/0
Spec(JIS AWG)	10	16	25	35	50	70	95	120
Spec(DIN AWG)								
Spec(GB mm ²)								
Max Current	70	95	125	170	230	265	310	360
Spec(American AWG)	250/300MCM			300/350MCM			400MCM	
Spec(JIS AWG)	150			185			240	
Spec(DIN AWG)								
Spec(GB mm ²)								
Max Current	445			505			545	



Wire Range	SKU#	MFG#	Stud Size		Dimension(mm)											Tool	pcs/pack	
			USA	Metric	d2	B	L	D	d	E								
A.W.G. 8 10mm ²	TT10	TT10-6	1/4"	6	0.252	6.4	0.469	11.9	1.102	28.0	0.272	6.9	0.185	4.7	0.472	12.0	IZUMI 5N18	500
	TT11	TT10-8	5/16"	8	0.327	8.3	0.531	13.5	1.22	31.0	0.272	6.9	0.185	4.7	0.472	12.0		500
A.W.G. 6 16mm ²	TT20	TT16-6	1/4"	6	0.252	6.4	0.469	11.9	1.299	33.0	0.307	7.8	0.22	5.6	0.669	17.0	OPT TP-150D	500
	TT21	TT16-8	5/16"	8	0.327	8.3	0.531	13.5	1.46	37.0	0.307	7.8	0.22	5.6	0.669	17.0		500
	TT22	TT16-10	3/8"	10	0.413	10.5	0.63	16.0	1.5	38.0	0.307	7.8	0.22	5.6	0.669	17.0		500
A.W.G. 4 25mm ²	TT30	TT25-8	5/16"	8	0.327	8.3	0.551	14.0	1.535	39.0	0.374	9.5	0.28	7.1	0.709	18.0	OPT TP-150D	250
	TT31	TT25-10	3/8"	10	0.413	10.5	0.63	16.0	1.654	42.0	0.374	9.5	0.28	7.1	0.709	18.0		250
A.W.G. 2 35mm ²	TT40	TT35-8	5/16"	8	0.327	8.3	0.65	16.5	1.654	42.0	0.433	11.0	0.323	8.2	0.748	19.0	OPT TP-150D	200
	TT41	TT35-10	3/8"	10	0.413	10.5	0.65	16.5	1.811	46.0	0.433	11.0	0.323	8.2	0.748	19.0		200
A.W.G. 1/0 50mm ²	TT50	TT50-10	3/8"	10	0.413	10.5	0.705	17.9	2.008	51.0	0.492	12.5	0.374	9.5	0.866	22.0	OPT TP-150D	100
	TT51	TT50-12	1/2"	12	0.512	13.0	0.705	17.9	2.008	51.0	0.492	12.5	0.374	9.5	0.866	22.0		100
A.W.G. 2/0 70mm ²	TT60	TT70-10	3/8"	10	0.413	10.5	0.866	22.0	2.126	54.0	0.591	15.0	0.453	11.5	0.866	22.0	OPT TP-150D	100
	TT61	TT70-12	1/2"	12	0.512	13.0	0.866	22.0	2.13	54.0	0.591	15.0	0.453	11.5	0.866	22.0		100
A.W.G. 3/0 95mm ²	TT70	TT95-14	9/16"	14	0.571	14.5	0.972	24.7	2.835	72.0	0.669	17.0	0.531	13.5	1.063	27.0	OPT TP-150D	50
	TT71	TT95-16	5/8"	16	0.65	16.5	0.972	24.7	2.84	72.0	0.669	17.0	0.531	13.5	1.063	27.0		50
A.W.G. 4/0 120mm ²	TT80	TT120-14	9/16"	14	0.571	14.5	1.138	28.9	2.913	74.0	0.787	20.0	0.614	15.6	1.142	29.0	IZUMI EP-520C	30
	TT81	TT120-16	5/8"	16	0.65	16.5	1.138	28.9	2.913	74.0	0.787	20.0	0.614	15.6	1.142	29.0		30
A.W.G.250/300MCM 150mm ²	TT90	TT150-14	9/16"	14	0.571	14.5	1.197	30.4	3.307	84.0	0.827	21.0	0.65	16.5	1.496	38.0	IZUMI EP-520C	10
	TT91	TT150-16	5/8"	16	0.65	16.5	1.2	30.4	3.307	84.0	0.827	21.0	0.65	16.5	1.496	38.0		10
A.W.G.300/350MCM 185mm ²	TTA0	TT185-16	5/8"	16	0.65	16.5	1.339	34.0	3.622	92.0	0.929	23.6	0.724	18.4	1.654	42.0	IZUMI EP-520C	10
A.W.G.400MCM 240mm ²	TTB0	TT240-16	5/8"	16	0.65	16.5	1.516	38.5	3.858	98.0	1.039	26.4	0.835	21.2	1.772	45.0	IZUMI EP-520C	10